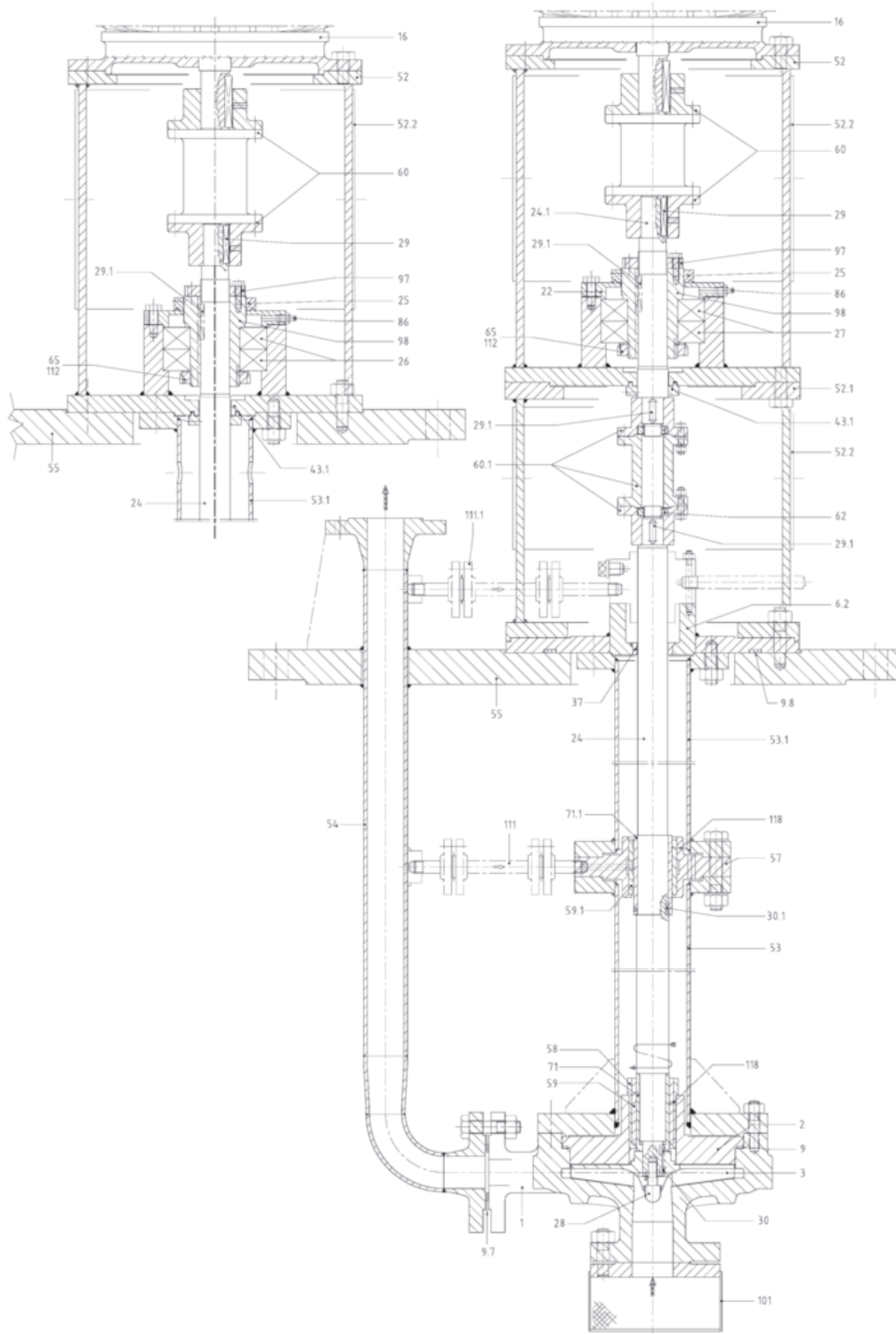


V-PEP

Pompe di processo a norme API 610- 11^a Edizione
Process pumps according to API 610- 11th Ed. norms

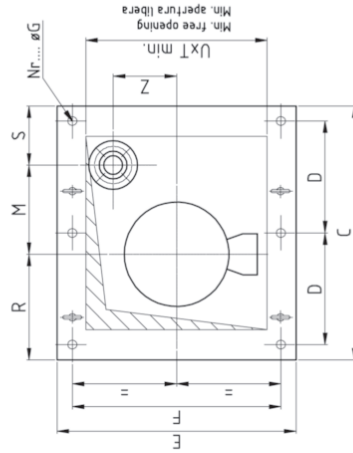
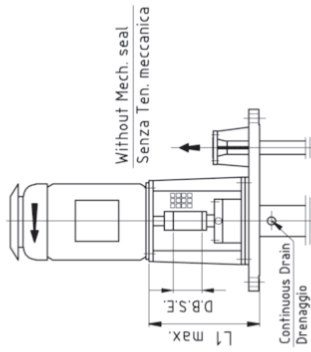
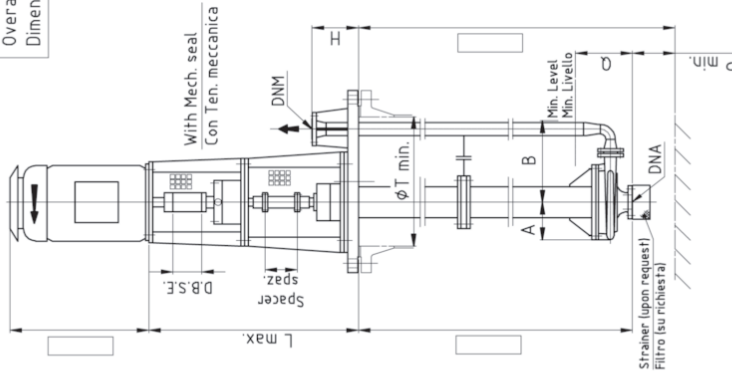
FINDER POMPE

Sectional Drawing & Part List Sezione & Nomenclatura

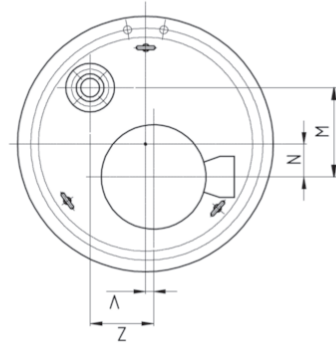


Dimensioni d'ingombro Overall dimensions

Overall dimensions (mm.)
Dimensioni d'ingombro (mm.)



Rectangular mounting plate
Piastra appoggio rettangolare



Circular mounting flange: DN1
ANSI 150 R.F. (B16.47 CL.A)
Piastra appoggio circolare: DN1
ANSI 150 R.F. (B16.47 CL.A)

PUMP TYPE TIPO POMPA V-PEP	Flanges Flange		DN1	PUMP DIMENSIONS / DIMENSIONI POMPA																					
	DNA	DNM		A	B	C	D	E	F	Hole-Forti Nr. øG		H	L	L1	M	N	P	Q	R	S	T	U	V	Z	
1x2 V-PEP 71C	2"-50	2"-50	22"	150	340	700	640	600	600	540	4	ø22	230	900	410	307	105	150	240	255	138	530	440	10	107
1x2 V-PEP 101C	2"-50	2"-50	24"	180	365	750	345	660	600	600	6	ø22	230	1060	480	327	102	150	240	280	143	590	500	15	134
1x2 V-PEP 131B	2"-50	2"-50	30"	230	400	850	385	800	720	720	6	ø25	230	1160	535	362	88	150	240	340	148	740	600	35	176
2x3 V-PEP 132	3"-80	3"-80	34"	255	535	1140	520	1000	900	900	6	ø30	250	1200	590	483	165	220	320	430	227	840	700	0	184

FINDER POMPE

Finder Pompe S.r.l.
23807 MERATE (Lc) - ITALY
Via Bergamo 65
Tel. +39-039-9982.1
Fax +39-039-599267
e-mail: finder@finderpumps.com
Internet: www.finderpumps.com